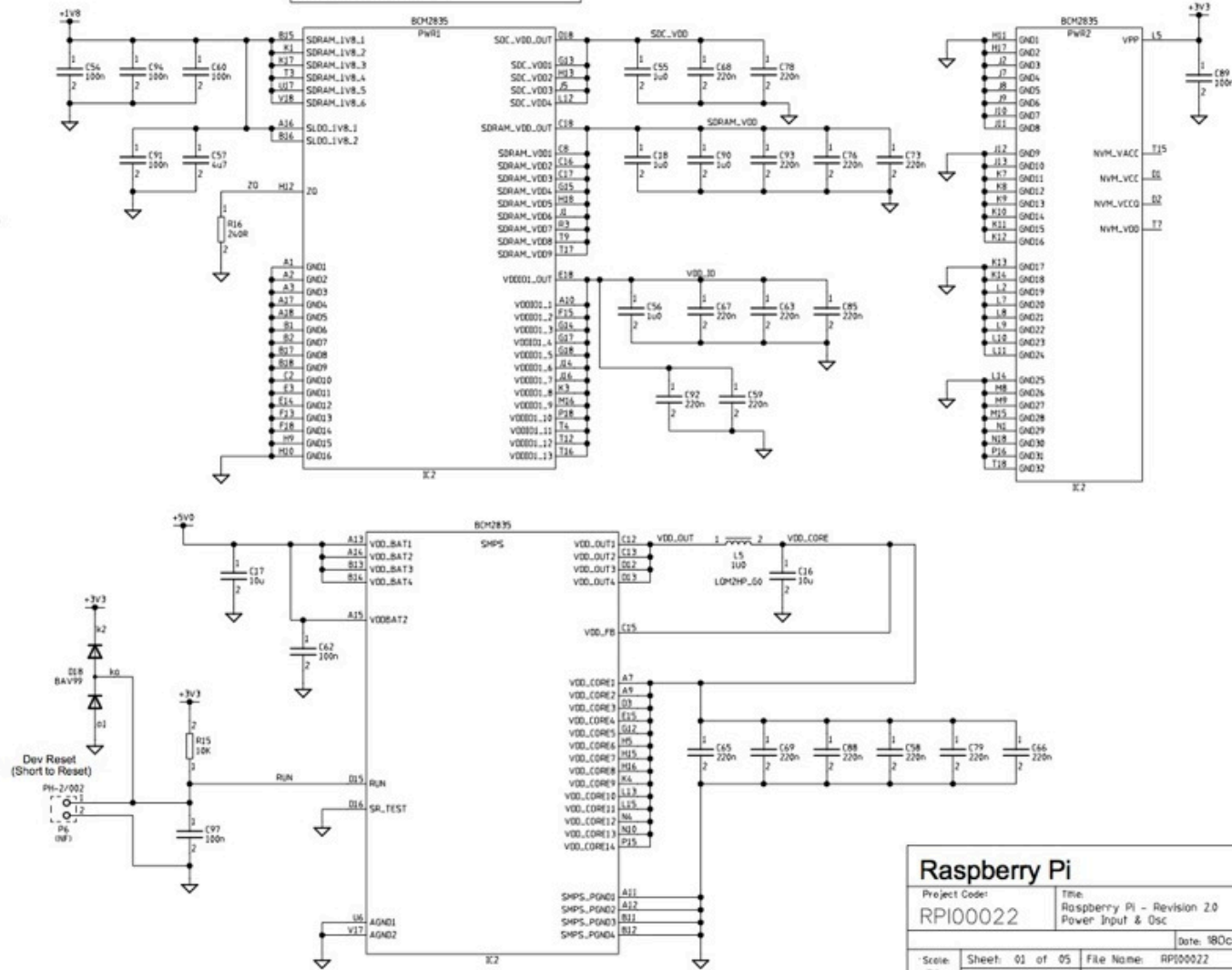
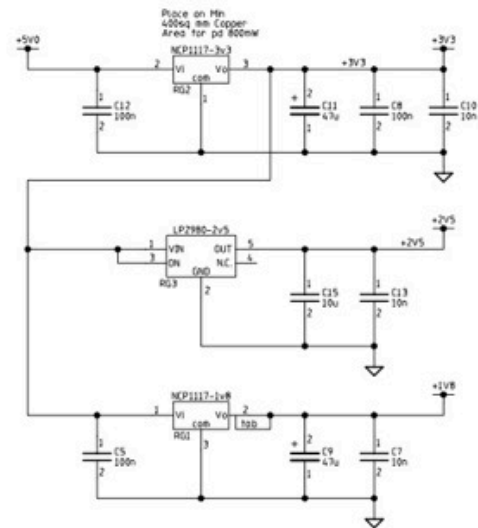
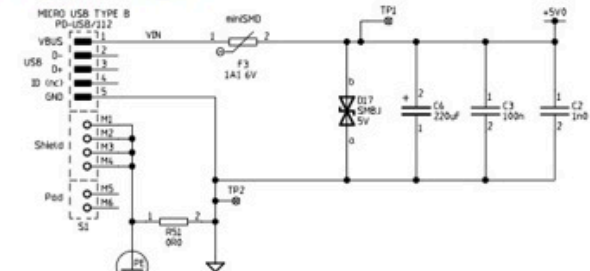


MEMORY: IC2A fitted as POP to IC2 - Note I21
 256Mbyte = K4P 2 G324ED
 512Mbyte = K4P 4 G324EB

USB Power Input 5V 700mA min



Raspberry Pi	
Project Code:	Time:
RPI00022	Raspberry Pi - Revision 2.0
	Power Input & Osc
Date: 18Oct12	
Scale:	File Name: RPI00022
NTS	Issue/PMR Level: 2.2/027)